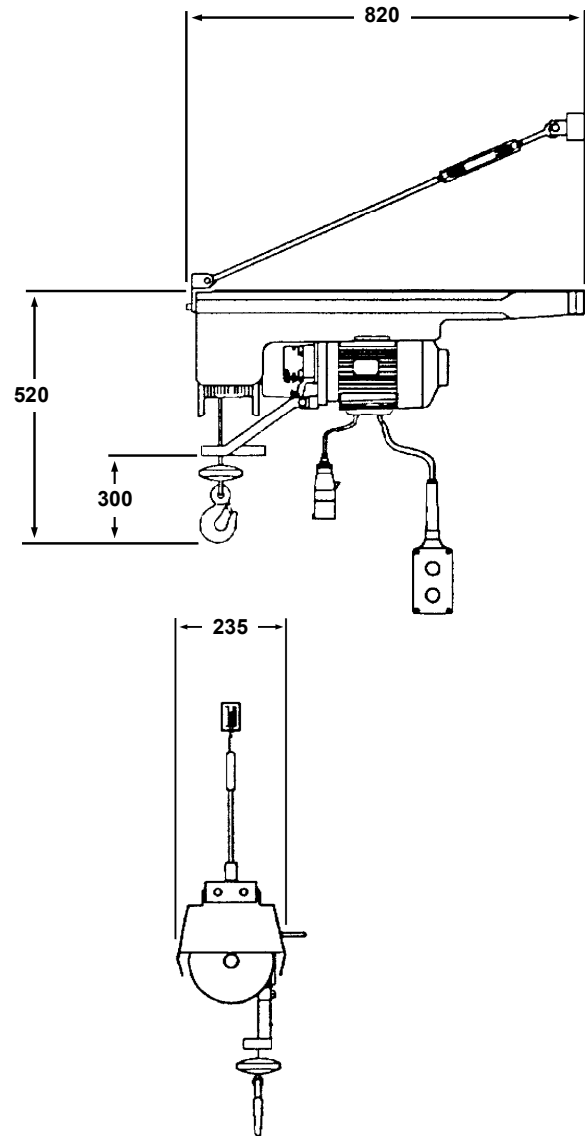


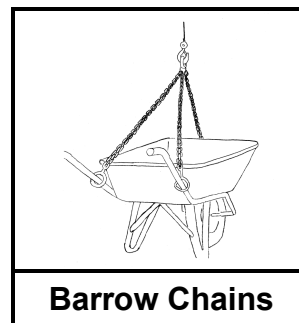
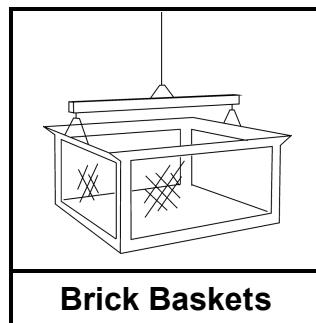
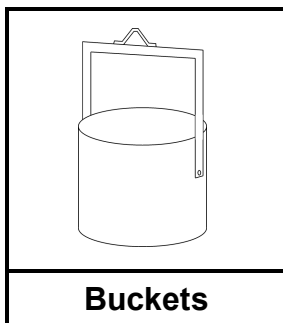


BETA 200 GANTRY HOIST

HOIST SPECIFICATIONS	
Payload	200kg
Maximum Lifting Height	25m
Speed	20m/min
Voltage	110V single phase
Power Cont. Duty	0.9kW
Power Consumption	1.76kVA
Power Supply Fuses (HRC)	16A
Unit Weight	42kg
Installation Type	
Static	✗
Scaffold Winch	✓
Runway Beam	✗
Ground Based	✗



Accessories Available from London Hoist



43 London Road - Stanford Rivers - Ongar - CM5 9PJ
TEL : 0207 5384833 - FAX : 0207 5153593
www.londonhoist.co.uk - info@londonhoist.co.uk