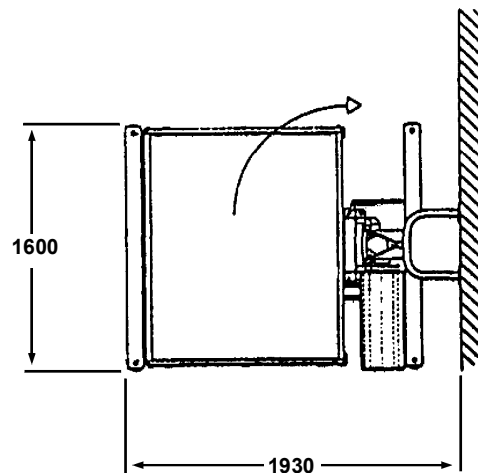
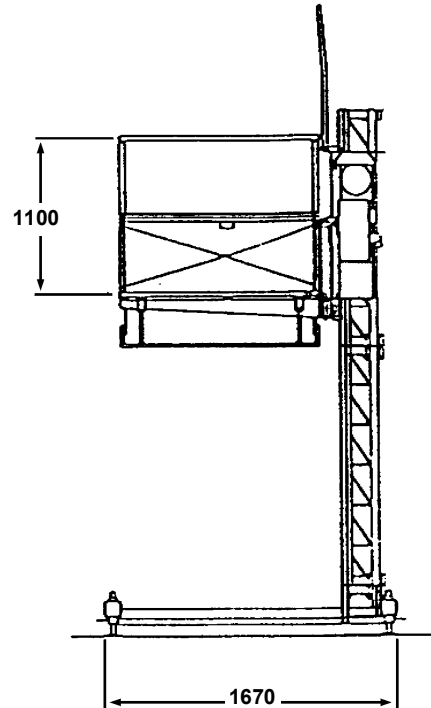




MABER 300 GOODS HOIST

HOIST SPECIFICATIONS	
Capacity	300kg
Internal Cage Length	1.5m
Internal Cage Width	1.0m
Speed	15m/min
Voltage	240V
Power Cont. Duty	2.5kW
Power Supply Fuses (HRC)	20A
Base Unit Weight	440kg
Max. Freestanding Landing Height	n/a
Max. Tie Interval	6m
Max. Tie Oversail	4.5m
Max. Final Landing Height	100m
Mast Section Length	1.5m
Scaffold Tower Size Required	2.4m x 2.4m



LONDON
HOIST
LTD

43 London Road - Stanford Rivers - Ongar - CM5 9PJ
TEL : 0207 5384833 - FAX : 0207 5153593
www.londonhoist.co.uk - info@londonhoist.co.uk

04-2003