



SKYHOOK MAXI 500 GOODS HOIST

HOIST SPECIFICATIONS

Capacity
500kg

Internal Cage Length
1.5m

Internal Cage Width
1.3m

Speed
20m/min

Voltage
415V 3 phase

Power Cont. Duty
4kW

Power Supply Fuses (HRC)
32A

Base Unit Weight
310kg

Max. Freestanding Landing Height
n/a

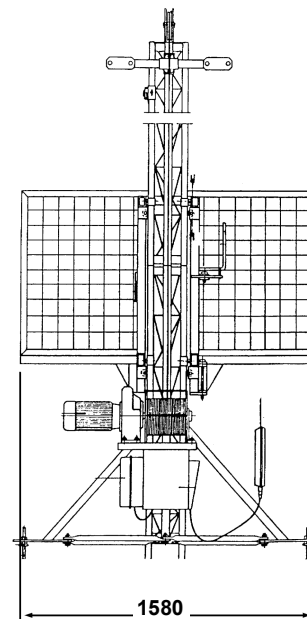
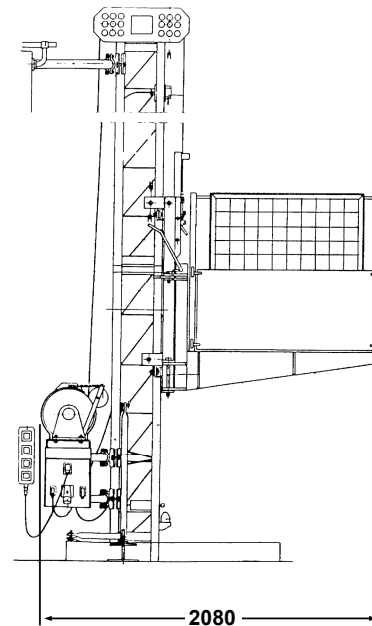
Max. Tie Interval
4m

Max. Tie Oversail
3m

Max. Final Landing Height
100m

Mast Section Length
1.5m

Scaffold Tower Size Required
2.4m x 2.4m



LONDON
HOIST
LTD

43 London Road - Stanford Rivers - Ongar - CM5 9PJ
TEL : 0207 5384833 - FAX : 0207 5153593
www.londonhoist.co.uk - info@londonhoist.co.uk